

BALTOSPOT GFC160C

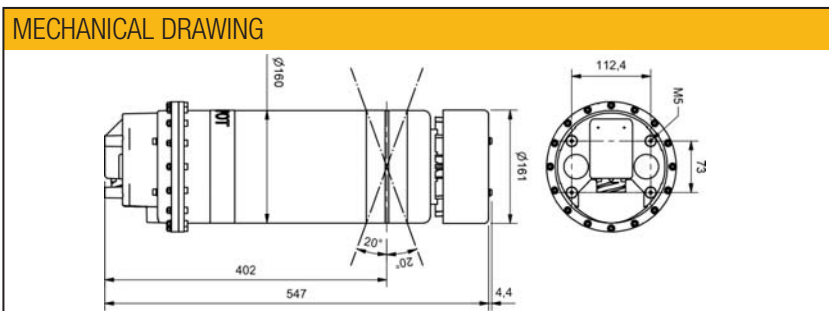


High voltage range:	112 to 160 kV
Approx. tube output:	3 mA
Beam angle:	360° x 40°
Focal spot size (IEC336):	4 X 0,9
Inherent Filtration (mm):	7 Al
Anode cooling type:	Air
Duty cycle:	50% at 35°C
Insulation:	SF6 Gas
Operating temperature:	-10 to +40
Weight (without rings):	11 kg

The generator is driven by an electronic circuit board (the power components are cooled by forced air). Components can be readily installed in the crawler body and connected to its general circuitry. Any DC voltages within the range of 72 to 130v can be selected and applied to the generator.

An exclusive feature allows generator to operate at constant kV and mA no matter of the battery cycles. This feature ensures a stable dose output and guarantees image quality consistency all along the exposure time.

This specific process, is also improving the operating possibilities of the battery pack. Indeed much more exposures can be taken. This process improves the battery lifetime thanks to a better management of discharge cycles.



Specifications

Units

BALTOSPOT GFC160C

High voltage range:	kV	112 - 160
Approx. tube output	mA	3
Beam angle:		360° x 40°
Focal spot size (IEC336):		4 x 0,9
Max. current:	A	4,5
Steel penetration at max (*):	mm	12,5
Working temperature:	°C	- 10 to + 40
Inherent filtration:	mm	7 Al
Anode cooling type:		Air
Duty cycle:	%	50% at 35°C
Insulation:		SF6 Gas
Mains:	V	72 - 130
Weight (without rings):	Kg	11
Tubehead:		Glass
Control unit:		CF3

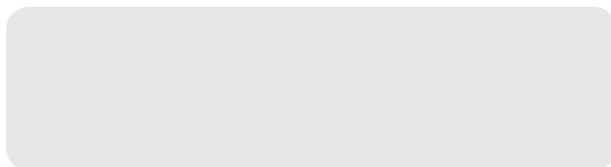
* FFD= 700mm/Film Carestream Industrex AA400/D=2.0/t=10min.

Contact details

Balteau NDT
Rue Voie de Liège, 12
B-4681 Hermalle Ss Argenteau
Belgium

www.balteau.com
balteau@balteau.com
Tel. +32 (0) 4 374 75 75
Fax +32 (0) 4 374 75 85

Distributed by:



BALTOSPOT GFC200C

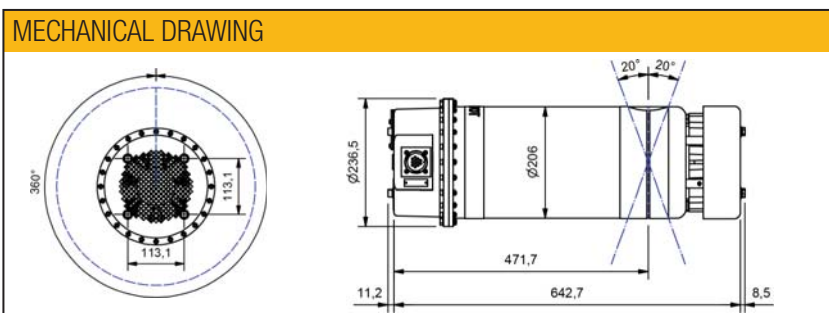


High voltage range:	140 to 200 kV
Approx. tube output:	3 mA
Beam angle:	360° x 45°
Focal spot size (IEC336):	4 X 1,2
Inherent Filtration (mm):	9 Al
Anode cooling type:	Air
Duty cycle:	50% at 35°C
Insulation:	SF6 Gas
Operating temperature:	Max. 70°C
Weight (without rings):	20 kg

The generator is driven by an electronic circuit board (the power components are cooled by forced air). Components can be readily installed in the crawler body and connected to its general circuitry. Any DC voltages within the range of 72 to 130v can be selected and applied to the generator.

An exclusive feature allows generator to operate at constant kV and mA no matter of the battery cycles. This feature ensures a stable dose output and guarantees image quality consistency all along the exposure time.

This specific process, is also improving not only the operating possibilities of the battery pack, thus much more exposures can be taken before the batteries are discharged, but also it improves the battery lifetime by a better management of discharge cycles.



Specifications

Units

BALTOSPOT GFC200C

High voltage range:	<i>kV</i>	140 - 200
Approx. tube output	<i>mA</i>	3
Beam angle:		360° x 45°
Focal spot size (IEC336):		4 x 1,2
Max. current:	<i>A</i>	9
Steel penetration at max (*):	<i>mm</i>	24
Working temperature:	<i>°C</i>	- 10 to + 40
Inherent filtration:	<i>mm</i>	9 Al
Anode cooling type:		Air
Duty cycle:	<i>%</i>	50% at 35°C
Insulation:		SF6 Gas
Mains:	<i>V</i>	72 - 130
Weight (without rings):	<i>Kg</i>	20
Tubehead:		Glass
Control unit:		CF3

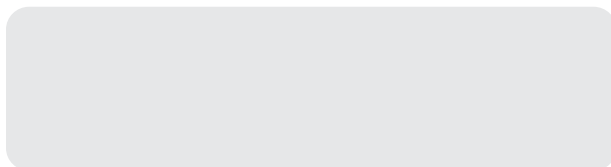
* FFD= 700mm/Film Carestream Industrex AA400/D=2.0/t=10min.

Contact details

Balteau NDT
 Rue Voie de Liège, 12
 B-4681 Hermalle Ss Argenteau
 Belgium

www.balteau.com
 balteau@balteau.com
 Tel. +32 (0) 4 374 75 75
 Fax +32 (0) 4 374 75 85

Distributed by:



BALTOSPOT GFC300C

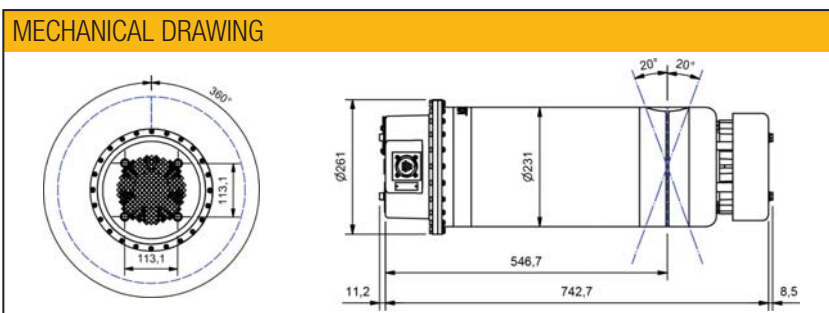


High voltage range:	150 to 300 kV
Approx. tube output:	3 mA
Beam angle:	360° x 45°
Focal spot size (IEC336):	4 X 1,3
Inherent Filtration (mm):	9 Al
Anode cooling type:	Air
Duty cycle:	50% at 35°C
Insulation:	SF6 Gas
Operating temperature:	-10 to + 40°C
Weight (without rings):	23,5 kg

The generator is driven by an electronic circuit board (the power components are cooled by forced air). Components can be readily installed in the crawler body and connected to its general circuitry. Any DC voltages within the range of 72 to 130 V can be selected and applied to the generator.

An exclusive feature allows generator to operate at constant kV and mA no matter of the battery cycles. This feature ensures a stable dose output and guarantees image quality consistency all along the exposure time.

This specific process is also improving not only the operating possibilities of the battery pack, thus much more exposures can be taken before the batteries are discharged, but also it improves the battery lifetime by a better management of discharge cycles.



Specifications	Units	BALTOSPOT GFC300C
High voltage range:	kV	150 - 300
Approx. tube output	mA	3
Beam angle:		360° x 45°
Focal spot size (IEC336):		4 x 1,3
Max. current:	A	12
Steel penetration at max (*):	mm	44
Working temperature:	°C	- 10 to + 40
Inherent filtration:	mm	9 Al
Anode cooling type:		Air
Duty cycle:	%	50% at 35°C
Insulation:		SF6 Gas
Mains:	V	72 - 130
Weight (without rings):	Kg	23,5
Tubehead:		Glass
Control unit:		CF3

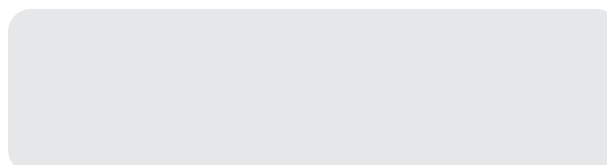
* FFD= 700mm/Film Carestream Industrex AA400/D=2.0/t=10min.

Contact details

Balteau NDT
 Rue Voie de Liège, 12
 B-4681 Hermalle Ss Argenteau
 Belgium

www.balteau.com
 balteau@balteau.com
 Tel. +32 (0) 4 374 75 75
 Fax +32 (0) 4 374 75 85

Distributed by:



BALTOSPOT GCP180C



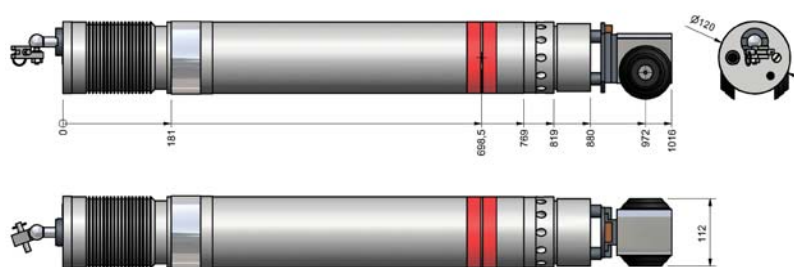
High voltage range:	90 to 180 kV
Approx. tube output:	3 mA
Beam angle:	360° x 45°
Focal spot size (IEC336):	5 X 0,6
Inherent Filtration (mm):	3 Al + 2 glass
Anode cooling type:	Air
Duty cycle:	50%
Insulation:	Oil
Operating temperature:	Max. 70°C
Weight (without rings):	16,7 kg

The generator is driven by an electronic circuit board (the power components are cooled by forced air). Components can be readily installed in the crawler body and connected to its general circuitry.

An exclusive feature allows generator to operate at constant kV and mA no matter of the battery cycles. This feature ensures a stable dose output and guarantees image quality consistency all along the exposure time.

This specific process, is also improving the operating possibilities of the battery pack. Indeed much more exposures can be taken. This process improves the battery lifetime thanks to a better management of discharge cycles.

MECHANICAL DRAWING



Specifications	Units	BALTOSPOT GCP180C
High voltage range:	kV	90 - 180
Approx. tube output	mA	3
Beam angle:		360° x 45°
Focal spot size (IEC336):		5 x 0,6
Max. current:	A	10
Steel penetration at max (*):	mm	26
Working temperature:	°C	- 40 to + 70
Inherent filtration:	mm	3 Al + 2 glass
Anode cooling type:		Air
Duty cycle:	%	50%
Insulation:		Oil
Mains DC supply:	V	43 - 60
Weight (without rings):	Kg	16,7
Tubehead:		Glass

* FFD= 700mm/Film Carestream Industrex AA400/D=2.0/t=1min.

Contact details

Balteau NDT
Rue Voie de Liège, 12
B-4681 Hermalle Ss Argenteau
Belgium

www.balteau.com
balteau@balteau.com
Tel. +32 (0) 4 374 75 75
Fax +32 (0) 4 374 75 85

Distributed by:

